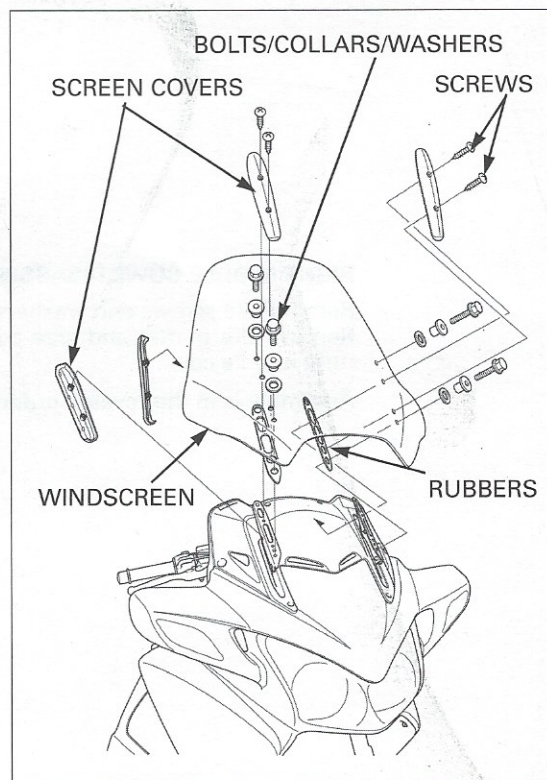


WINDSCREEN

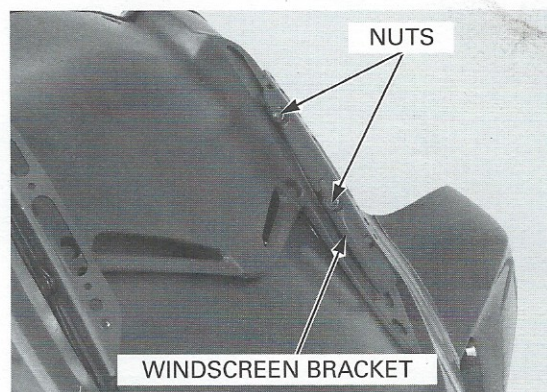
WINDSCREEN

REMOVAL

Remove the four screws and windscreen covers.
Remove the four bolts, collars and plastic washers.
Remove the windscreen and rubbers.



Remove the four nuts and windscreen brackets.

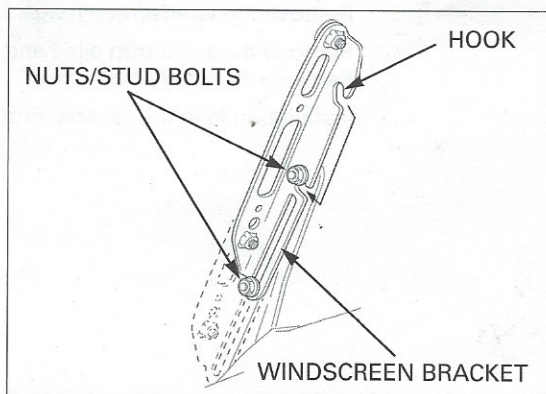


INSTALLATION

Install the windscreen bracket aligning its groove and hook with the stud bolts on the windscreen stay.

Tighten the nuts securely.

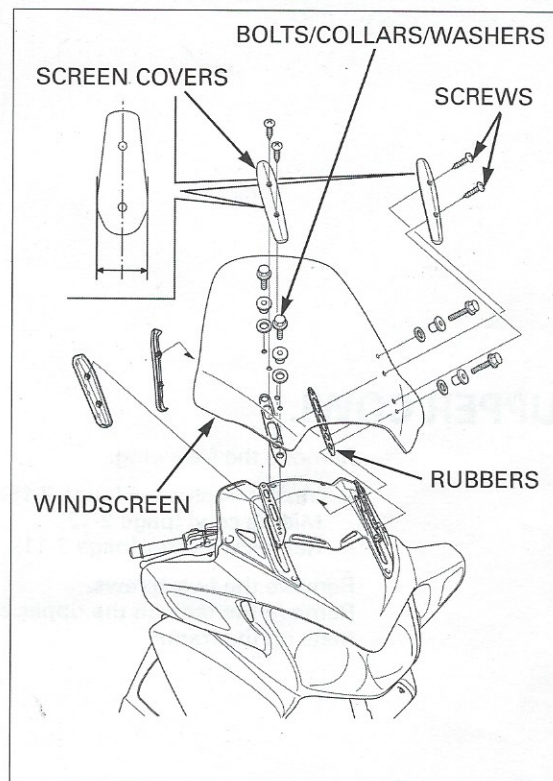
When the windscreen height is ready to be adjusted, exchange the hooks on windscreen bracket to the stud bolt.



Install the rubbers and windscreen being careful not to damage the windscreen.

Install the bolts, collars and plastic washers, then tighten the bolts.

Install the windscreen covers with its wide side facing down and tighten the screws securely.



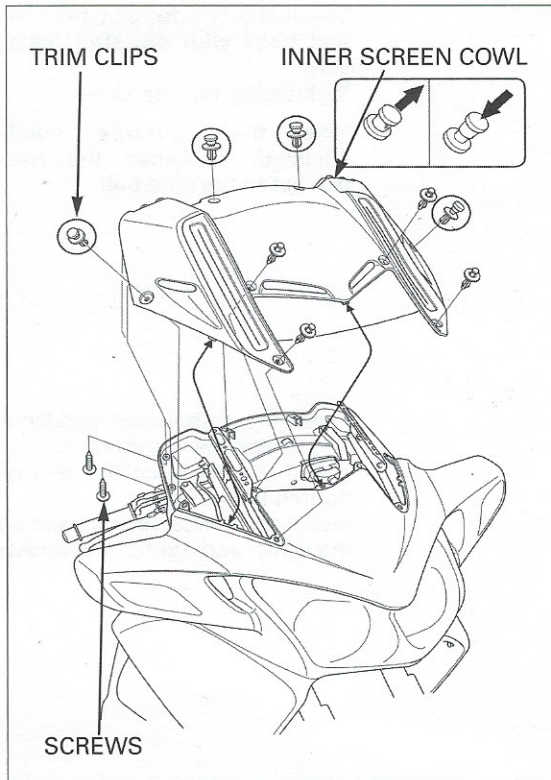
FRAME/BODY PANELS/EXHAUST SYSTEM

INNER SCREEN COWL

Remove the windscreen (page 2-16).

Remove the eight trim clips and four screws.
Remove the inner screen cowl.

Installation is in the reverse order of removal.



UPPER COWL

Remove the following:

- Inner screen cowl (page 2-18)
- Middle cowl (page 2-12)
- Rearview mirror (page 2-11)

Remove the two screws.

Remove the tabs on the upper cowl from the grommets on the frame.

